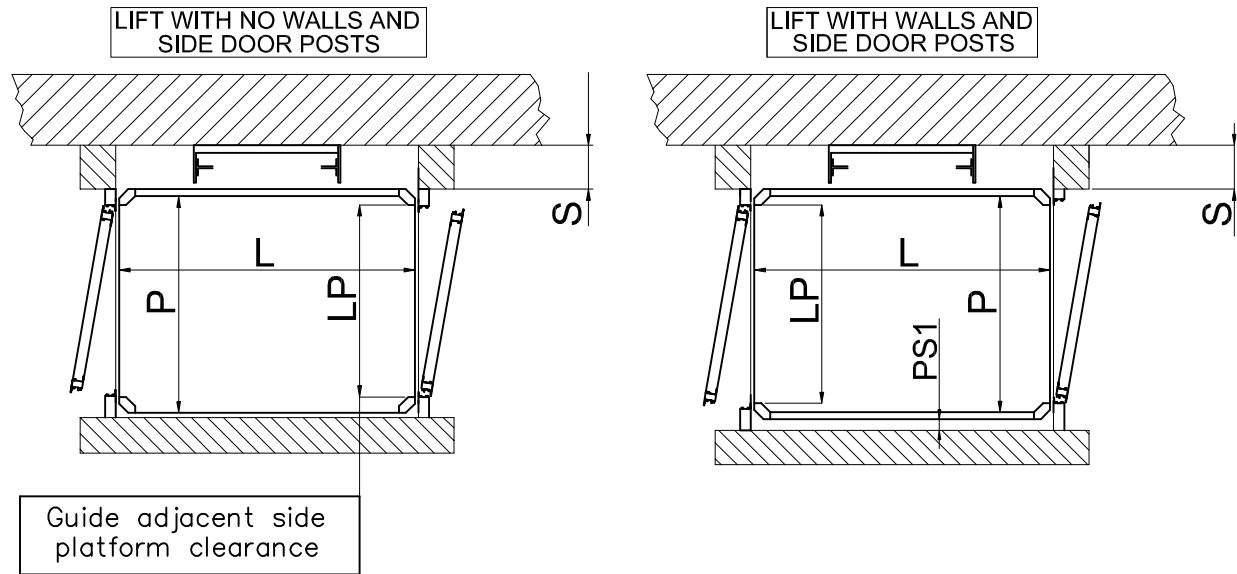
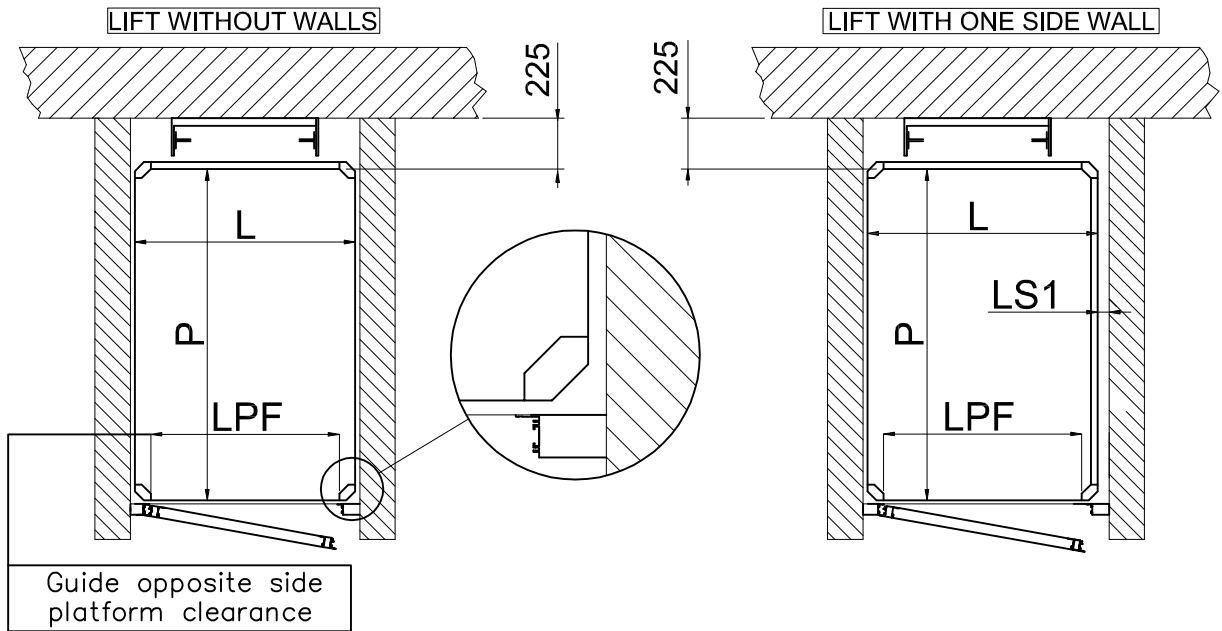


LIFT TOP VIEW
(MASONRY SHAFT)



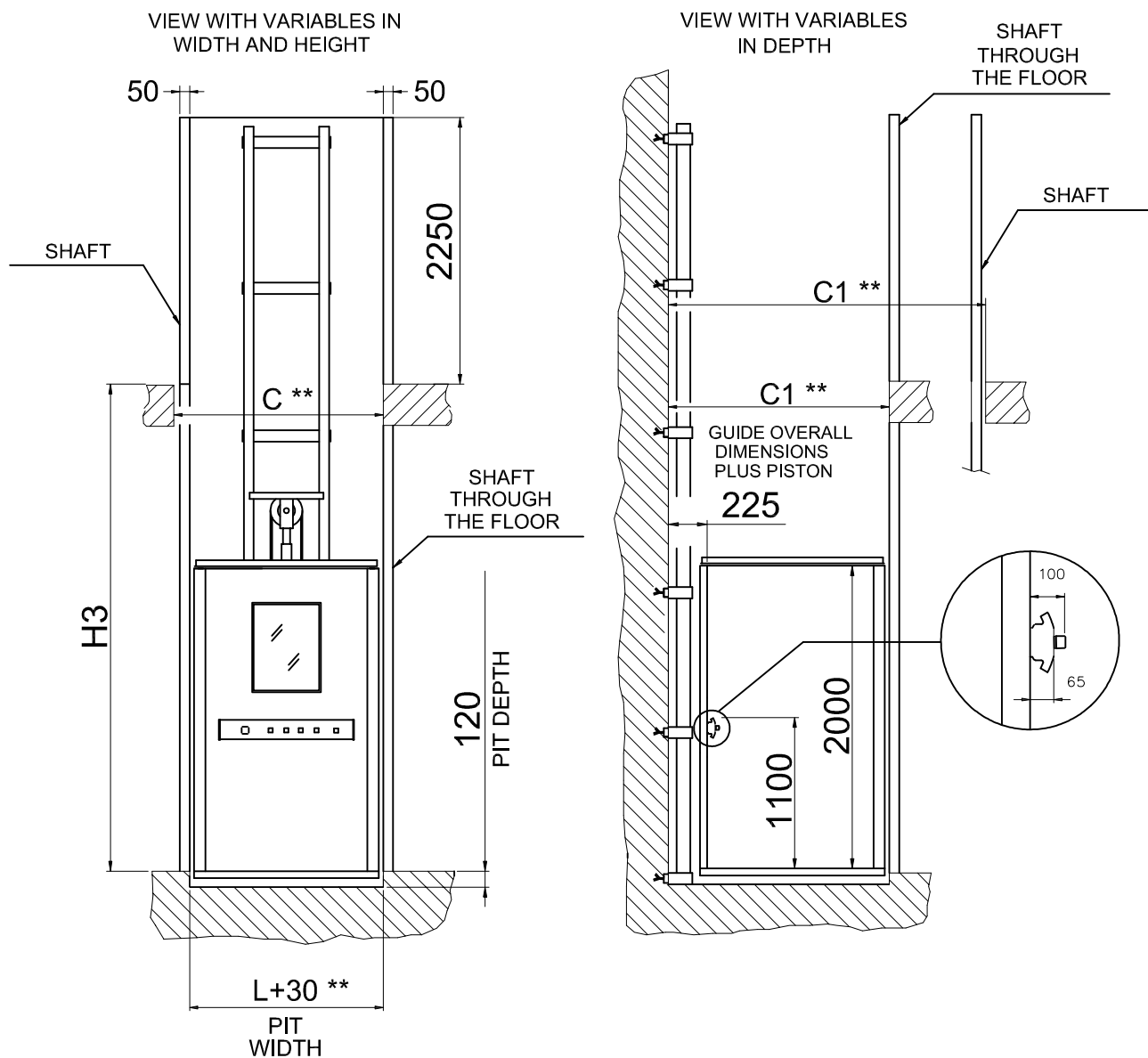
DATA	CODICE	REV.
29/04/09	8623200	b

STANDARD DIMENSIONS

L (Width)		P (depth)	
	770		950
	850		900
	850		1250
	900		850
	950		770
	1000		1250
	1000		1400
	1100		1400
L (Width)		P (depth)	
	1250		850
	1250		1000
	1250		1250
	1400		1000
	1400		1100
	1400		1200

LP	P-110 (ON-BOARD CONTROL PANEL EXCLUDED)	S = 150 (ALUMINIUM DOOR)
LPF	L-140 (ON-BOARD CONTROL PANEL EXCLUDED)	S = 140 (VENEERED DOOR WITH CONTROL PANEL ON GUIDE SIDE)
PS1=LS1	60	S = 170 (VENEERED DOOR WITH HINGES ON SIDE GUIDE)

LIFT FRONT AND SIDE VIEW
(WITH GUARDS)



** ADD 45 mm FOR EACH SIDE WITH ADDITIONAL CABIN WALL

$H3 \leq 13m$	DATA 29/04/09	CODICE 8623200	REV. b
---------------	------------------	-------------------	-----------

STANDARD DIMENSIONS

C Shaft width	WITH SHAFTS THROUGH THE FLOOR OR MASONRY SHAFT **	L+30
	WITH ONE SHAFT	L+90
	WITH TWO SHAFTS	L+150
C1 Shaft depth	WITH SHAFTS THROUGH THE FLOOR OR MASONRY SHAFT **	P+240
	WITH SHAFTS	P+300

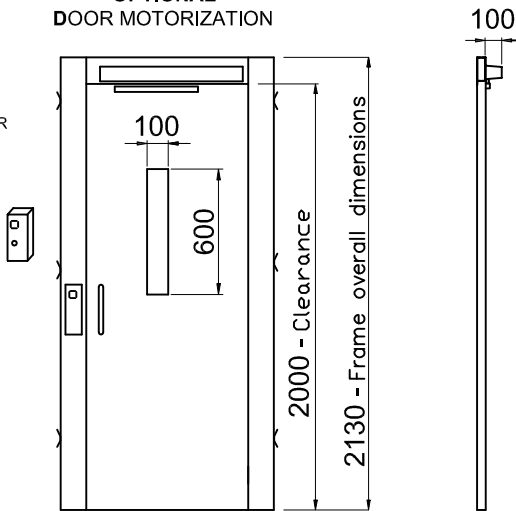
TECHNICAL CHARACTERISTICS

Working load	Power	Mains voltage	Motor power supply voltage	Auxiliary power supply voltage	Speed
400 [daN]	1.8 [KW]	230 [V-mon.]	230 [V]	24 [V-cc]	0,15 [m/sec]

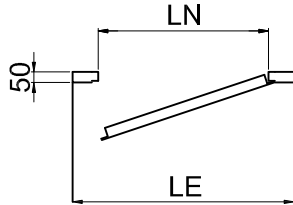
DOOR TYPES

OPTIONAL
DOOR MOTORIZATION

OPTIONAL:
REMOTE FLOOR
CONTROL
PANEL



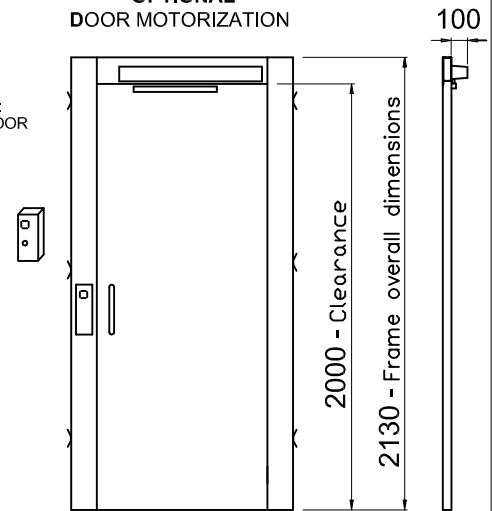
HOLLOW
VENEERED DOOR



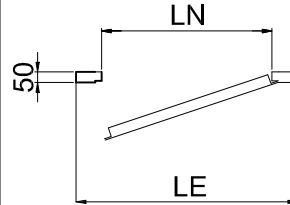
LN	LE
600	830
650	880
700	930
750	980
800	1030
860	1090
900	1130
950	1180
1000	1230

OPTIONAL
DOOR MOTORIZATION

OPTIONAL:
REMOTE FLOOR
CONTROL
PANEL



BLIND HOLLOW
VENEERED DOOR

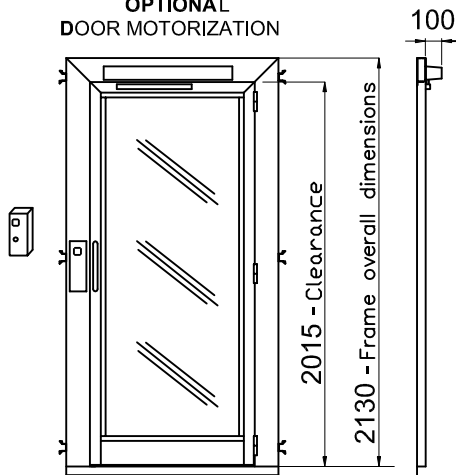


LN	LE
600	830
650	880
700	930
750	980
800	1030
860	1090
900	1130
950	1180
1000	1230

LN = CLEARANCE

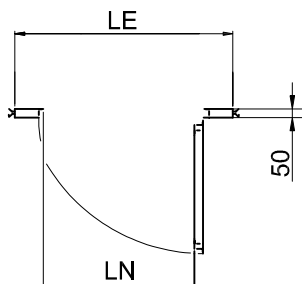
OPTIONAL
DOOR MOTORIZATION

OPTIONAL:
REMOTE FLOOR
CONTROL
PANEL



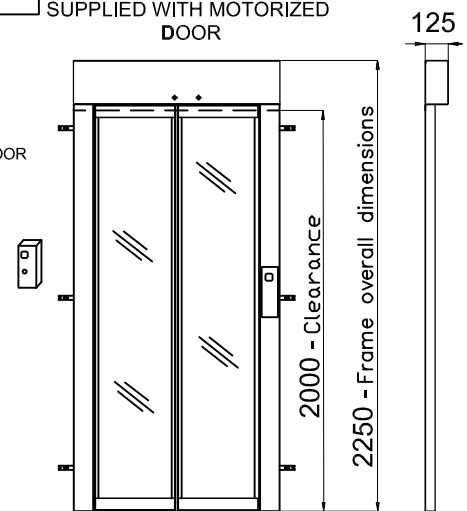
PANORAMIC
ALUMINIUM
DOOR

LN	LE
600	830
650	880
700	930
750	980
800	1030
860	1090
900	1130
950	1180
1000	1230

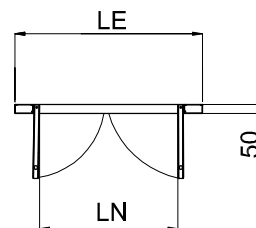


SUPPLIED WITH MOTORIZED
DOOR

OPTIONAL:
REMOTE FLOOR
CONTROL
PANEL



PANORAMIC DOUBLE
HINGED DOOR



LN	LE
800	1090
860	1130
900	1180
950	1230