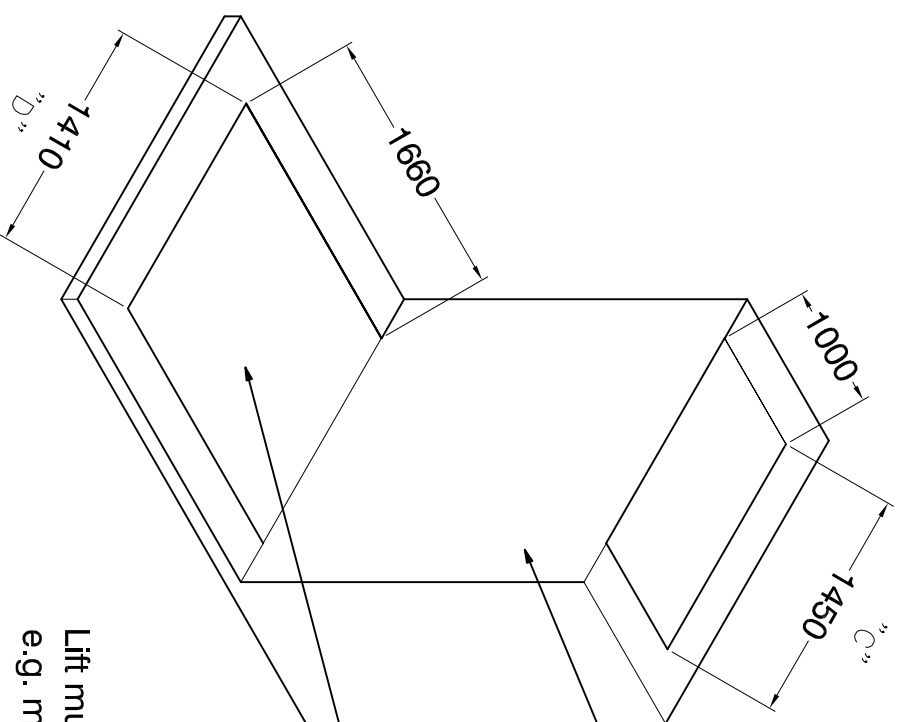


Min Slab thickness 200mm
 Min width & length 1500mm x 1000mm
 level surface from lifting face (gate swing).



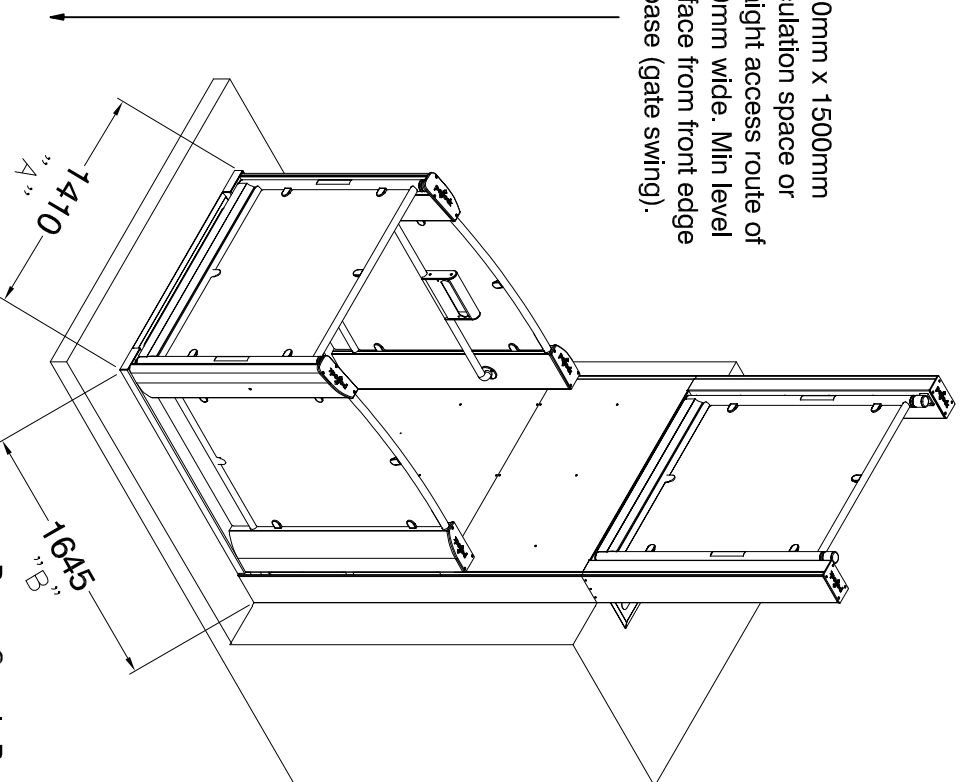
Rise must be vertical and smooth. This face must be structural.

Base to be level +/- 5mm ensure adequate drainage.

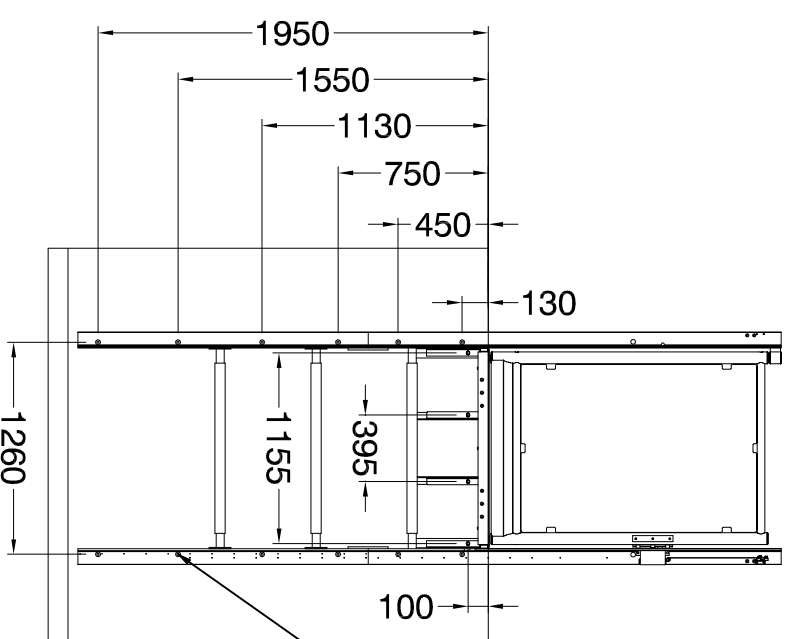
Lift must NOT be located over external services
 e.g. m, ains water stop tap. manhole etc.

Lift Size	"A"	"B"	"C"	"D"
1100W	1410	1645	1450	1450

1500mm x 1500mm circulation space or straight access route of 900mm wide. Min level surface from front edge of base (gate swing).

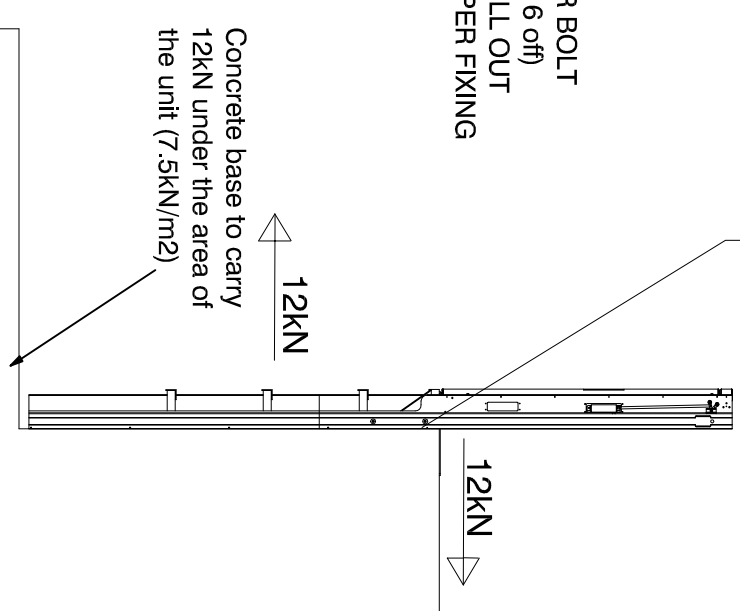


Power Supply Requirements: 240W 15amp
 power supply to be fitted within 6m of lift position, draw wire/trunking to run to centre of lift rise face.

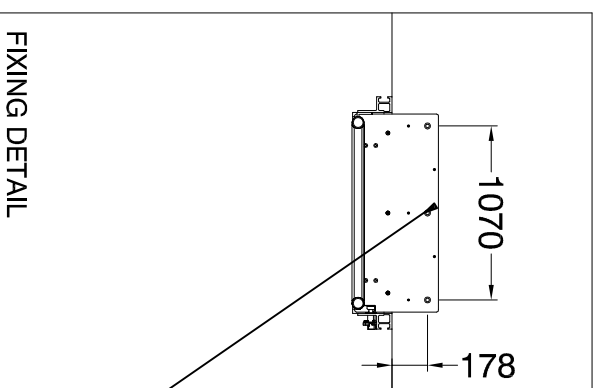


ANCHOR BOLT
 M8x80 (16 off)
 12KN PULL OUT
 FORCE PER FIXING

Concrete base to carry
 12kN under the area of
 the unit (7.5kN/m²)



Depending On Rise
 Number Of Anchor Bolts
 From Bottom Up
 Will Reduce.



CHEMICAL FIXING M16x100
 (3 off per Upper Step Fixing)
 12KN Shear Load/ Fixing

Platform
LiftCompany

Aspley Barrs, Aspley, Near
 Andover, Hants SP11 6NA
 Tel - 01256 89600
 Fax - 01256 896900
 E-mail - info@platformliftco.com.au
 website - www.platformliftco.com.au

TITLE
Pollock Lift

DWG NO.

Technical Info

REV
 C

SCALE

NTS

DATE

09/09/2009

DRAWN

JS